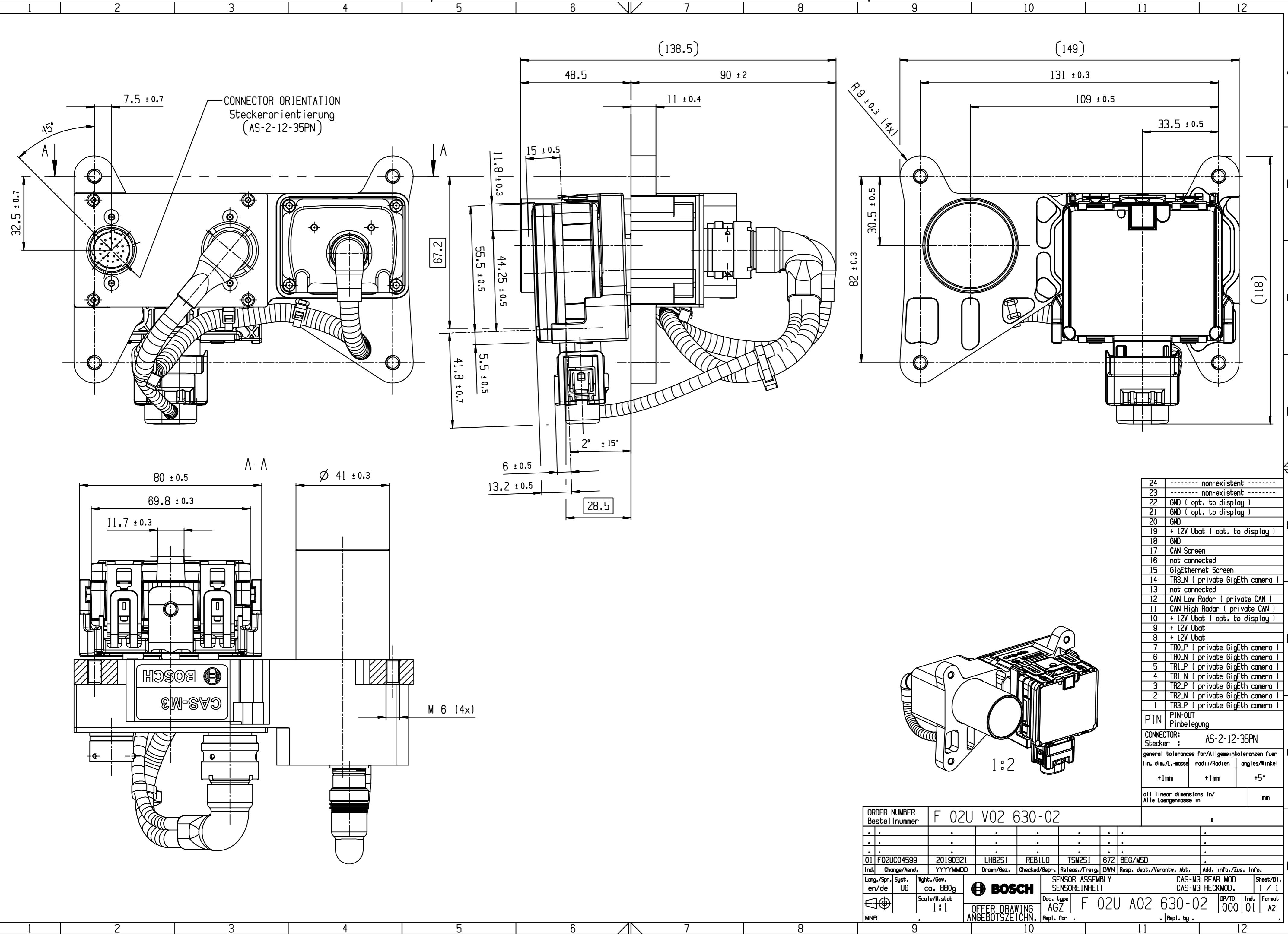


© Bosch Engineering GmbH. Alle Rechte vorbehalten, auch bzgl. jeder Verlegung, Vervielfältigung, Reproduktion, Bearbeitung, Weitergabe sowie jeder Teil von Schutzrechtsmaßnahmen.

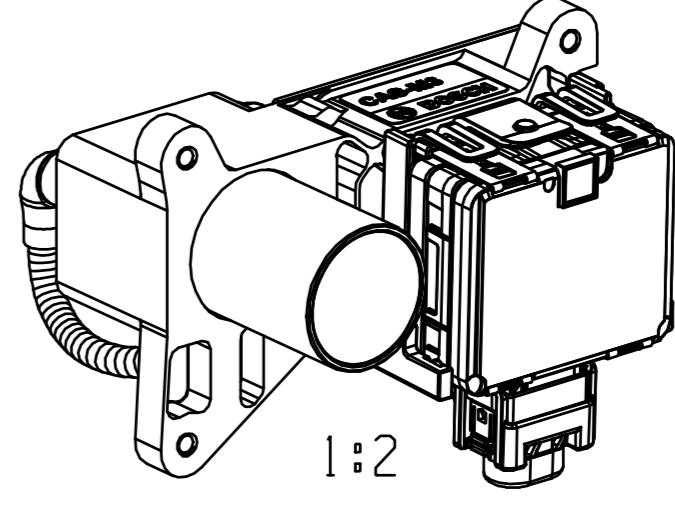
© Bosch Engineering GmbH. All rights reserved, also regarding any distribution, reproduction, editing, distributing, as well as in the event of applications for industrial property rights.



CONNECTOR ORIENTATION  
Steckerorientierung  
(AS-2-12-35PN)

24	----- non-existent -----
23	----- non-existent -----
22	GND ( opt. to display )
21	GND ( opt. to display )
20	GND
19	+ 12V Ubat ( opt. to display )
18	GND
17	CAN Screen
16	not connected
15	GigEthernet Screen
14	TR3_N ( private GigEth camera )
13	not connected
12	CAN Low Radar ( private CAN )
11	CAN High Radar ( private CAN )
10	+ 12V Ubat ( opt. to display )
9	+ 12V Ubat
8	+ 12V Ubat
7	TR0_P ( private GigEth camera )
6	TR0_N ( private GigEth camera )
5	TR1_P ( private GigEth camera )
4	TR1_N ( private GigEth camera )
3	TR2_P ( private GigEth camera )
2	TR2_N ( private GigEth camera )
1	TR3_P ( private GigEth camera )

PIN		
PIN-OUT		
Pinbelegung		
CONNECTOR: AS-2-12-35PN		
Stecker :		
general tolerances for/Allgemeintoleranzen fuer		
lin. dim./L-masse	radii/Radien	angles/Winkel
±1mm	±1mm	±5°
all linear dimensions in/ Alle Laengemasse in		
mm		



ORDER NUMBER	F 02U V02 630-02	
Bestellnummer		
01	F02UC04599	20190321
Ind.	Change/Änd.	YYYYMMDD
Lang./Spr.	Syst.	UG
en/de	ca.	880g
Scale/M.stab	1:1	
MNR		
OFFER DRAWING ANGEBOOTSZEICHN.		
SENSOR ASSEMBLY CAS-M3 REAR MOD SENSOREINHEIT CAS-M3 HECKMOD.		
Doc. type F 02U A02 630-02 AGZ		
Sheet/Bl. 1 / 1 DP/TD 000 Ind. 01 Format A2		

E02UA02630-02 AGZ 000.01 SENSOREINHEIT CAS-M3 HECKMOD